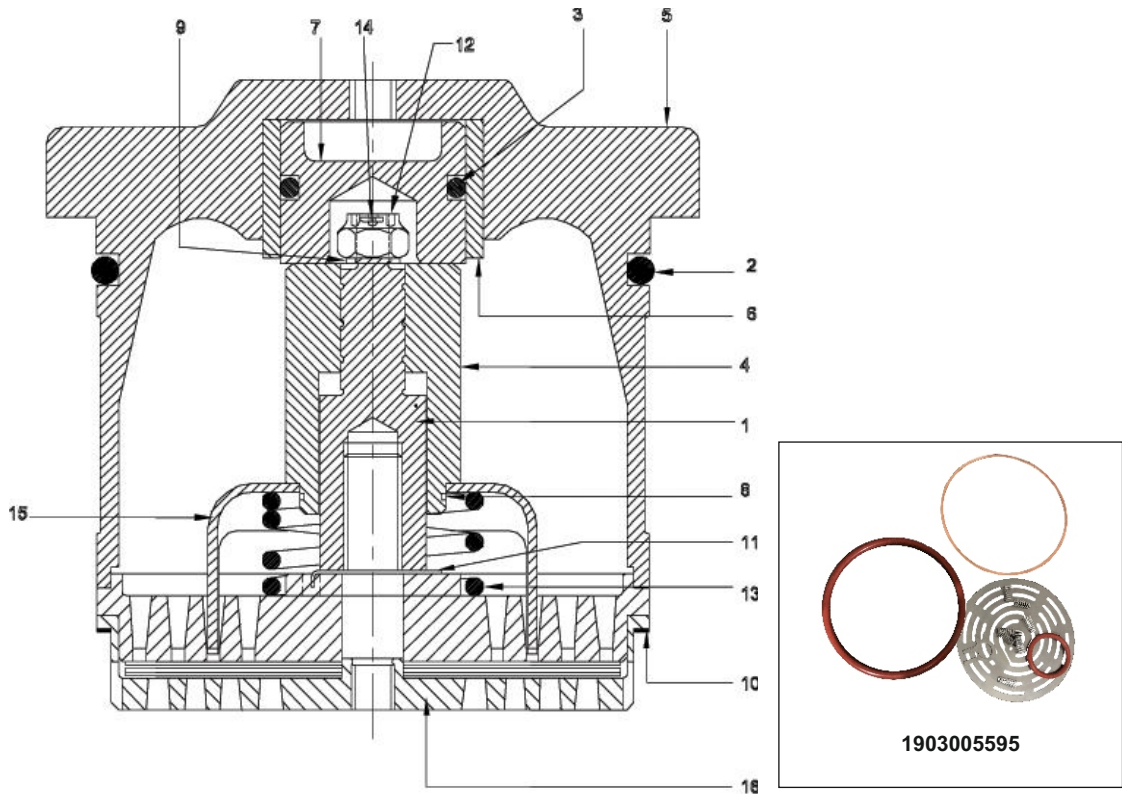


1903005595 - Valve Service Kit (First Stage)



No.	Description	Ref Part No.	QTY
-	Valve Service Kit (First Stage)	1903005595	-
	- Valve Plate	E2229164	1
	- O ring for Unloading piston	H0210150	1
	- O ring for Valve Holder	H0221150	1
	- Lift Washer Top	H0808164	1
	- Lift Washer Bottom	H0809164	1
	- Valve Spring	H3486164	8
	- Cu. Washer	M3637150	1
	- Split Pin	M5109150	1